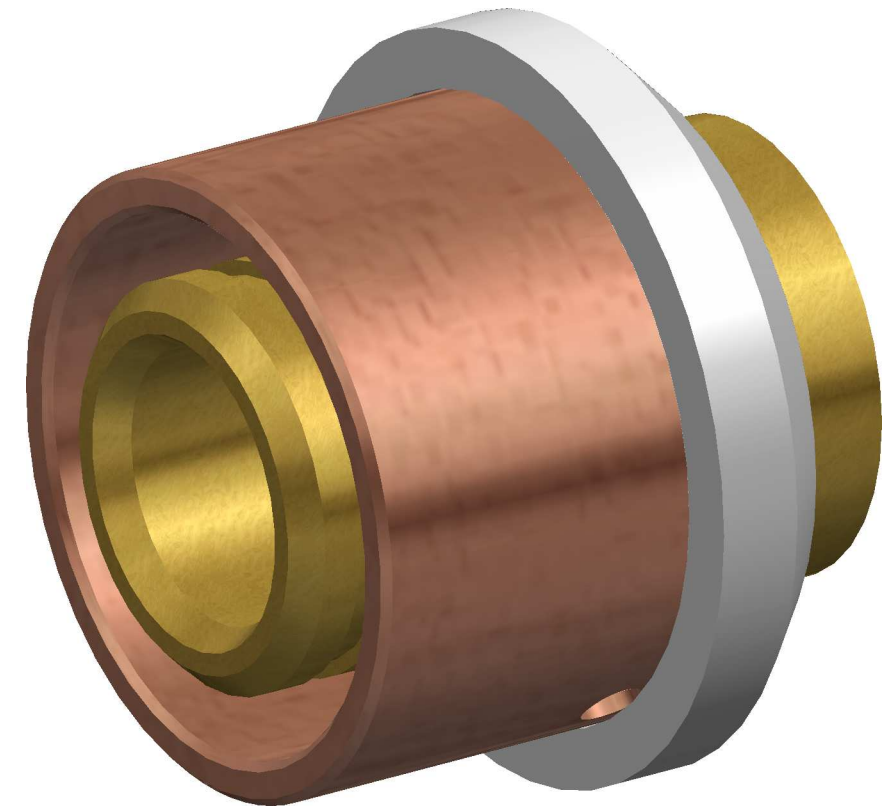


SECTION A-A

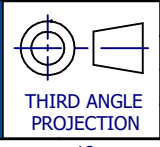


REV	DESCRIPTION	DATE	APPROVED
A	INITIAL RELEASE.	XX-XX-18	M.H.

UNLESS OTHERWISE STATED
 NOM = Nominal
 O/A = Overall
 TYP = Typical
 C/O = Clear Opening
 All measures in millimeters.

This drawing and all information contained thereon are the exclusive property of Iplex Pipelines Pty Ltd. Unless specifically noted, this drawing and items shown on this drawing are subject to change at any time and without prior notice.
 Measures are for reference purpose only.

© IPLEX PIPELINES PTY LTD
 1300 0 IPLEX (47539)
 www.iplex.com.au
 info@iplexpipelines.com.au



MASS: 0 kg
 MATERIAL: BRASS
 A3 - NTS
 Sheet 1 of 1

DESCRIPTION: DN18 Pro-fit Hot and Cold Brass Test Plug
 CODE: PTP18

REV: A